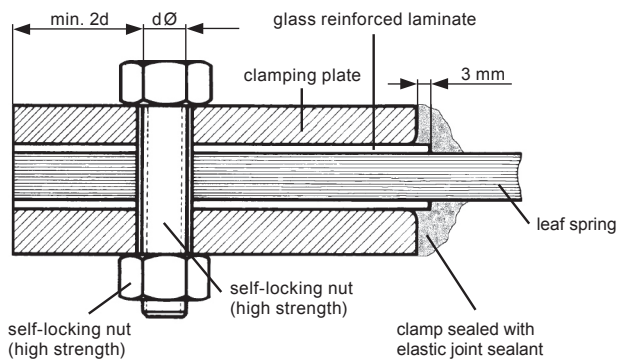


Spring assembly

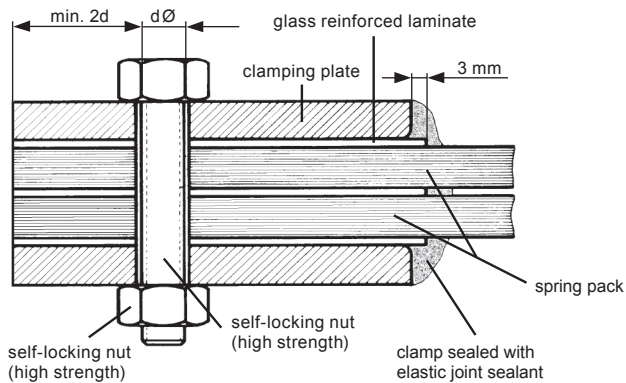
Valid for the following products:

S-Ply® yellow / S-Ply® blue / S-Ply® carbon

Single spring



Spring pack



Installation instructions for replacing individual springs and spring assemblies:

- clean the clamping plates thoroughly to remove all traces of corrosion
- replace stainless steel screws (8.8) with new screws
- check torque (M10 = 55 Nm / M8 = 30 Nm)
- inspect washers and replace if necessary
- check torque on the bolts again after 10^4 load changes
- lower clamps must be sealed with sealant (this measure is particularly necessary if penetration of the conveyed material or surrounding particles is likely to cause damage to the clamp)